

ARDRA GHOST -en- LINEAR LIGHTING o3o

INDOOR RECESSED LED PROFILE

APPLICATIONS:

- Technical lighting, linear and architectural (recessed within ceilings and plasterboard ceilings)
- Overhead lighting (retail / offices / restaurants / hotels / hospitals / houses)
- Linear architectural lighting
- Interior design projects

DESCRIPTION:

Material: natural anodised aluminum with transparent or satin diffuser, resistant to UV rays.

Dimensions: 18,3 mm in height and 13,4 mm in width. Minimum length 30cm, maximum 300cm.



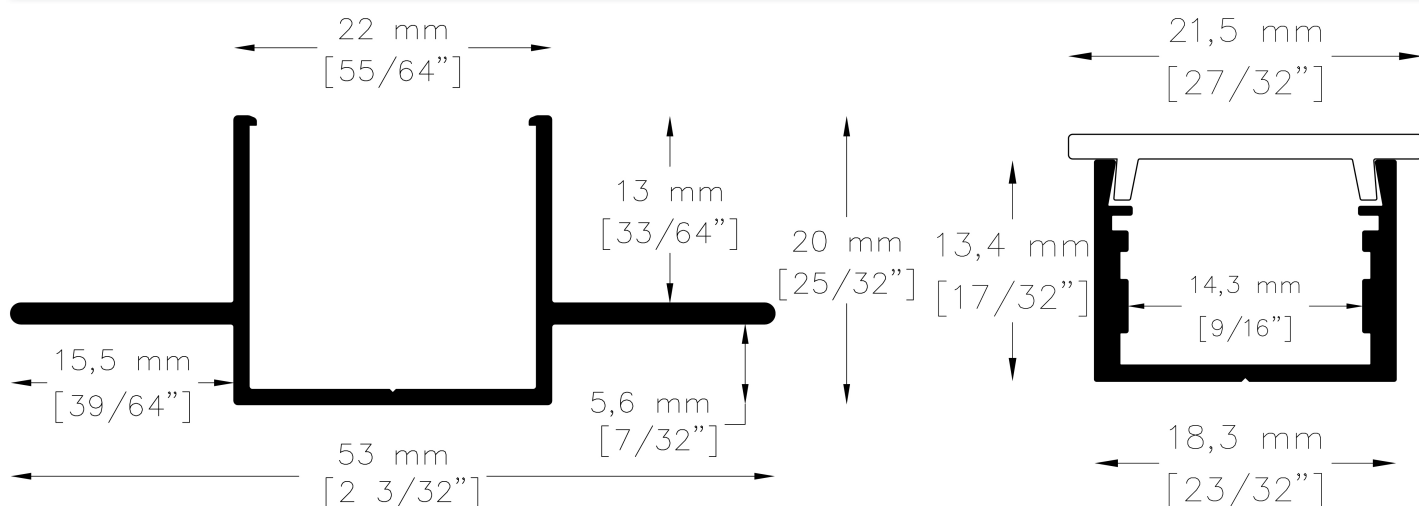
**WHILE
STOCKS
LAST!**



IP40



DATA SHEET



CHARACTERISTICS

LED module: mid-power LEDs on metal core PCB

PCB LED 10W

W/mt	K	lm/mt	LED/mt - Type - V	CRI
10	2700	1140	168 - SMD 2835 - 24V	>90
10	3000	1220	168 - SMD 2835 - 24V	>90
10	4000	1300	168 - SMD 2835 - 24V	>90

ARDRA GHOST -en- LINEAR LIGHTING o3o

PCB LED 20W

W/mt	K	lm/mt	LED/mt - Type - V	CRI
20	2700	2370	168 - SMD 2835 - 24V	>90
20	3000	2520	168 - SMD 2835 - 24V	>90
20	4000	2600	168 - SMD 2835 - 24V	>90

STRIP LED 19W DYNAMIC WHITE

W/mt	K	lm/mt	LED/mt - Type - V	CRI
19	2700-3200+6000-6500	1120+1232	56+56 - SMD 2835 - 24V	>80

STRIP LED RGB+W

W/mt	K (White)	lm/mt (White)	LED/mt - Type - V	CRI (White)
20	RGB+WW 2800-3000	504	84 - SMD 5050 - 24V	WW>80
20	RGB+NW 3800-4000	588	84 - SMD 5050 - 24V	NW>80
20	RGB+CW 6000-6500	672	84 - SMD 5050 - 24V	CW>80

NOTES AND ACCESSORIES

- Controller for RGB management and light dimmer dimming.
- Standard cable length 1500mm, other sizes on request.
- Power supplies not included, to be ordered separately.

Last update: 6 December 2024