

ARDRA AVONT -en- LINEAR LIGHTING 005

INDOOR LED PROFILE

APPLICATIONS:

- Independent wall lamp, ceiling or hanging
- Overhead lighting (retail / offices / restaurants / hotels / hospitals / houses)
- Linear decorative lighting (halls)
- Lighting for catwalks and boardwalks
- Interior design projects

DESCRIPTION:

Material: Natural anodised aluminum with opaline diffuser, resistant to UV rays.

Dimensions: 25,2 mm in height and 30,8 mm in width. Minimum length 30cm, maximum 200cm (other sizes on request)



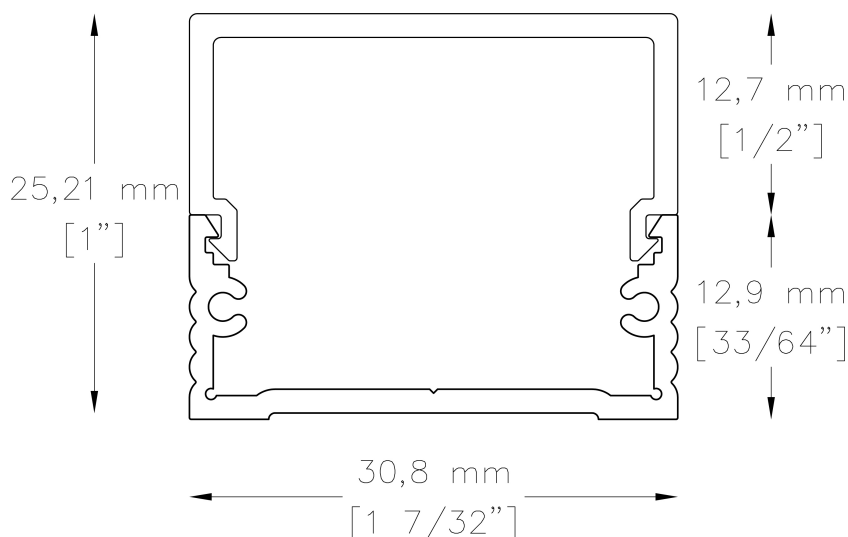
**WHILE
STOCKS
LAST!**



IP40



DATA SHEET



CHARACTERISTICS

LED module: mid-power LEDs on metal core PCB

PCB LED 10W

W/mt	K	lm/mt	LED/mt - Type - V	CRI
10	2700	1140	168 - SMD 2835 - 24V	>90
10	3000	1220	168 - SMD 2835 - 24V	>90
10	4000	1300	168 - SMD 2835 - 24V	>90

ARDRA AVONT -en- LINEAR LIGHTING 005

PCB LED 20W

W/mt	K	lm/mt	LED/mt - Type - V	CRI
20	2700	2370	168 - SMD 2835 - 24V	>90
20	3000	2520	168 - SMD 2835 - 24V	>90
20	4000	2600	168 - SMD 2835 - 24V	>90

PCB LED 30W

W/mt	K	lm/mt	LED/mt - Type - V	CRI
30	2700	3780	100 - SMD 2835 - 24V	>80
30	3000	3990	100 - SMD 2835 - 24V	>80
30	4000	4200	100 - SMD 2835 - 24V	>80

STRIP LED 19W DYNAMIC WHITE

W/mt	K	lm/mt	LED/mt - Type - V	CRI
19	2700-3200+6000-6500	1120+1232	56+56 - SMD 2835 - 24V	>80

STRIP LED RGB+W

W/mt	K (White)	lm/mt (White)	LED/mt - Type - V	CRI (White)
20	RGB+WW 2800-3000	504	84 - SMD 5050 - 24V	WW>80
20	RGB+NW 3800-4000	588	84 - SMD 5050 - 24V	NW>80
20	RGB+CW 6000-6500	672	84 - SMD 5050 - 24V	CW>80

NOTES AND ACCESSORIES

- Controller for RGB management and light dimmer dimming.
- Standard cable length 1500mm, other sizes on request .
- Power supplies not included, to be ordered separately.

Last update: 6 December 2024