

ARDRA ALU LAMP -en- LINEAR LIGHTING 118

INDOOR LED PROFILE

APPLICATIONS:

- Independent wall lamp, ceiling or hanging in two versions: slim fixture with remote power supply or standard fixture with on-board power supply
- Unidirectional or bidirectional lighting
- Technical lighting, linear and architectural (ceilings / walls)
- Linear architectural lighting
- Interior design projects

DESCRIPTION:

Material: Natural anodised aluminum with transparent and opaline diffuser.

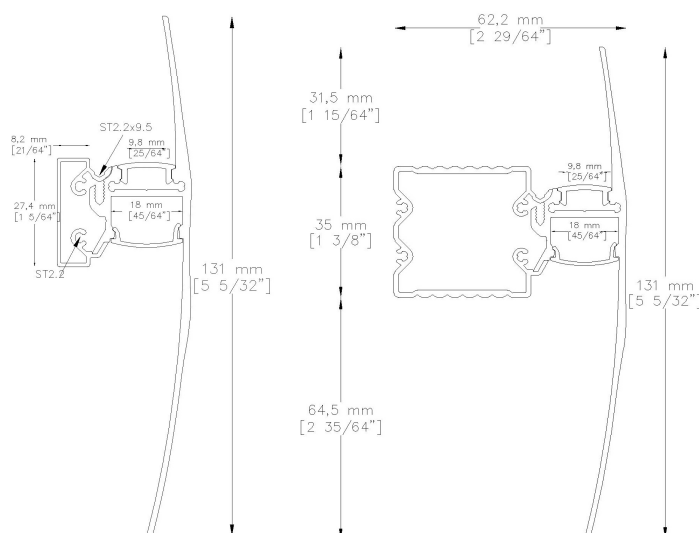
Dimensions: 131 mm in height and 34/62,2 mm in width.
Minimum length 30cm, maximum 200cm (other sizes on request)



IP40



DATA SHEET



CHARACTERISTICS

LED module: mid-power LEDs on metal core PCB

PCB LED 10W

W/mt	K	lm/mt	LED/mt - Type - V	CRI
10	2700	1140	168 - SMD 2835 - 24V	>90
10	3000	1220	168 - SMD 2835 - 24V	>90
10	4000	1300	168 - SMD 2835 - 24V	>90

ARDRA ALU LAMP -en- LINEAR LIGHTING 118

PCB LED 20W

W/mt	K	lm/mt	LED/mt - Type - V	CRI
20	2700	2370	168 - SMD 2835 - 24V	>90
20	3000	2520	168 - SMD 2835 - 24V	>90
20	4000	2600	168 - SMD 2835 - 24V	>90

STRIP LED 19W DYNAMIC WHITE

W/mt	K	lm/mt	LED/mt - Type - V	CRI
19	2700-3200+6000-6500	1120+1232	56+56 - SMD 2835 - 24V	>80

STRIP LED RGB+W

W/mt	K (White)	lm/mt (White)	LED/mt - Type - V	CRI (White)
20	RGB+WW 2800-3000	504	84 - SMD 5050 - 24V	WW>80
20	RGB+NW 3800-4000	588	84 - SMD 5050 - 24V	NW>80
20	RGB+CW 6000-6500	672	84 - SMD 5050 - 24V	CW>80

NOTES AND ACCESSORIES

- Controller for RGB management and light dimmer dimming.
- Standard cable length 1500mm, other sizes on request.
- Power supplies not included, to be ordered separately.

Last update: 6 December 2024