

## ARDRA ALU 45 -en- LINEAR LIGHTING O O15

### INDOOR LED PROFILE

#### APPLICATIONS:

- Lighting above and below cabinets
- Complementary furnishing items (kitchen / office / home)
- Interior design projects (stairs / storage)
- Exhibition shelves LED lighting (retail / stores)

#### DESCRIPTION:

Material: Natural anodised aluminum with transparent, opaline or frosted diffuser. Resistant to UV rays and shocks.

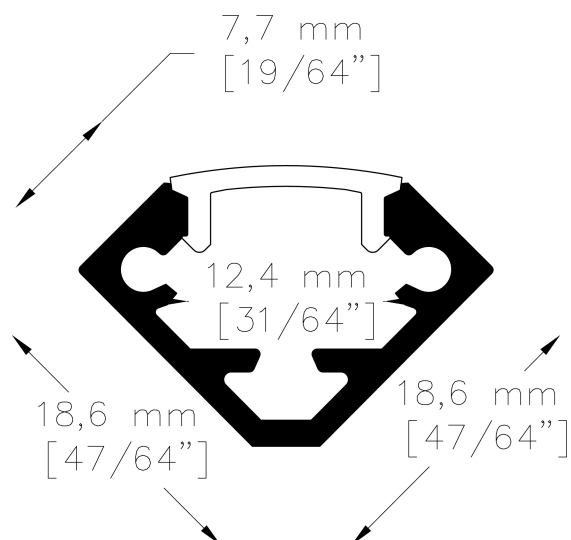
Dimensions: 18,6mm in height and 18,6mm in width. Minimum length 30cm, maximum 300cm (other sizes on request)



IP40



### DATA SHEET



### CHARACTERISTICS

LED module: mid-power LEDs on metal core PCB

#### PCB LED 10W

W/mt	K	lm/mt	LED/mt - Type - V	CRI
10	2700	1140	168 - SMD 2835 - 24V	>90
10	3000	1220	168 - SMD 2835 - 24V	>90
10	4000	1300	168 - SMD 2835 - 24V	>90

## ARDRA ALU 45 -en- LINEAR LIGHTING Ø 015

### PCB LED 20W

W/mt	K	lm/mt	LED/mt - Type - V	CRI
20	2700	2370	168 - SMD 2835 - 24V	>90
20	3000	2520	168 - SMD 2835 - 24V	>90
20	4000	2600	168 - SMD 2835 - 24V	>90

### LED CCT 24V

W/mt	K	lm/mt	LED/mt - V	CRI
16	1800/3000K	720	192 - 24V	90+
16	2700/6000K	1300	120 - 24V	90+
18	2700/6000K	1800	240 - 24V	90+
28	2700/6000K	4000	192 - 24V	80+

### LED RGB 24V

W/mt	K	lm/mt	LED/mt - V	CRI
14	COB RGB DIGITAL	-	720 - 24V	-
16	COB RGB + 3000K	-	896 - 24V	-

### NOTES AND ACCESSORIES

- Touch switch or sensor pir.
- Controller for RGB management and light dimmer dimming.
- Standard cable length 1500mm, other sizes on request.
- Power supplies not included, to be ordered separately.

Last update: 6 December 2024