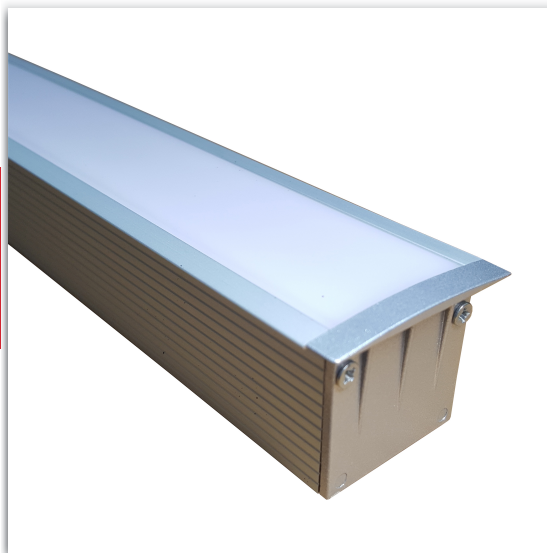


ARDRA ALU 35 RECESSED LINEAR LIGHTING O O14



INDOOR RECESSED LED PROFILE

APPLICATIONS:

- Technical lighting, linear and architectural (recessed within ceilings and walls)
- Overhead lighting with an higher light intensity (retail / offices / restaurants / hotels / hospitals / houses)
- Linear architectural lighting
- Interior design projects

DESCRIPTION:

Material: high quality natural anodised aluminum with high heat-dissipation capability and opaline diffuser.

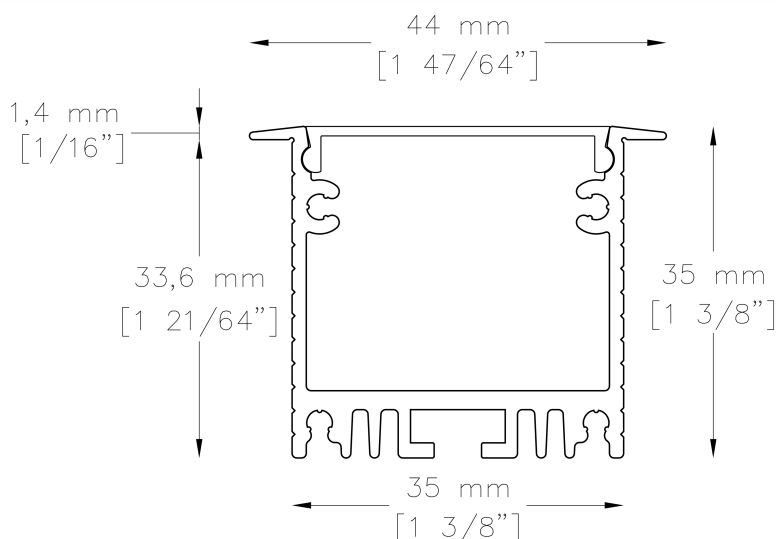
Dimensions: 35 mm in height and 44 mm in width. Minimum length 30cm, maximum 200cm (other sizes on request)



IP40



DATA SHEET



CHARACTERISTICS

LED module: mid-power LEDs on metal core PCB

PCB LED 10W

W/mt	K	lm/mt	LED/mt - Type - V	CRI
10	2700	1140	168 - SMD 2835 - 24V	>90
10	3000	1220	168 - SMD 2835 - 24V	>90
10	4000	1300	168 - SMD 2835 - 24V	>90

ARDRA ALU 35 RECESSED LINEAR LIGHTING Ø 014

PCB LED 20W

W/mt	K	lm/mt	LED/mt - Type - V	CRI
20	2700	2370	168 - SMD 2835 - 24V	>90
20	3000	2520	168 - SMD 2835 - 24V	>90
20	4000	2600	168 - SMD 2835 - 24V	>90

LED CCT 24V

W/mt	K	lm/mt	LED/mt - V	CRI
16	1800/3000K	720	192 - 24V	90+
16	2700/6000K	1300	120 - 24V	90+
18	2700/6000K	1800	240 - 24V	90+
28	2700/6000K	4000	192 - 24V	80+

LED RGB 24V

W/mt	K	lm/mt	LED/mt - V	CRI
14	COB RGB DIGITAL	-	720 - 24V	-
16	COB RGB + 3000K	-	896 - 24V	-

NOTES AND ACCESSORIES

- Controller for RGB management and light dimmer dimming.
- Standard cable length 1500mm, other sizes on request.
- Power supplies not included, to be ordered separately.

Last update: 6 December 2024