

## ARDRA MINI 20x11 -en- LINEAR LIGHTING 170

### INDOOR LED PROFILE

#### APPLICATIONS:

- Independent LED lamp
- Light for private homes
- Lighting above and below cabinets
- Complementary furnishing item (offices / restaurants / hotels / hospitals / houses)
- Exhibition shelves LED lighting (retail / stores)
- Interior design projects

#### DESCRIPTION:

Material: Natural anodised aluminum with transparent or opaline diffuser, resistant to UV rays and shocks.

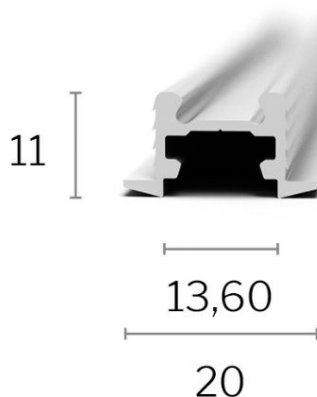
Dimensions: 11 mm in height and 20 mm in width. Minimum length 30cm, maximum 300cm (other sizes on request).



IP40



### DATA SHEET



### CHARACTERISTICS

LED module: mid-power LEDs on metal core PCB

PCB LED - 11W/mt CRI>90

W/mt	K	lm/mt	LED/mt - Type - V	CRI
10	2700	1140	168 - SMD 2835 - 24V	>90
10	3000	1220	168 - SMD 2835 - 24V	>90
10	4000	1300	168 - SMD 2835 - 24V	>90

## ARDRA MINI 20x11 -en- LINEAR LIGHTING 170

PCB LED - 22W/mt CRI>90

W/mt	K	lm/mt	LED/mt - Type - V	CRI
20	2700	2370	168 - SMD 2835 - 24V	>90
20	3000	2520	168 - SMD 2835 - 24V	>90
20	4000	2600	168 - SMD 2835 - 24V	>90

### NOTES AND ACCESSORIES

- Magnetic kit for fixing
- Touch switch or sensor pir.
- Controller for RGB management and light dimmer dimming.
- Standard cable length 1500mm, other sizes on request.
- Power supplies not included, to be ordered separately.

Last update: 31 July 2024