

AIRPURE Track -en- TRACK SPOT Ø170



PUBLIC BUILDINGS, HOSPITALS, HOTELS, OFFICES and STORES have always been subject to disinfection and sanitization interventions to ensure the safety of the environments in which you live and work on a daily basis, respecting rules and regulations.

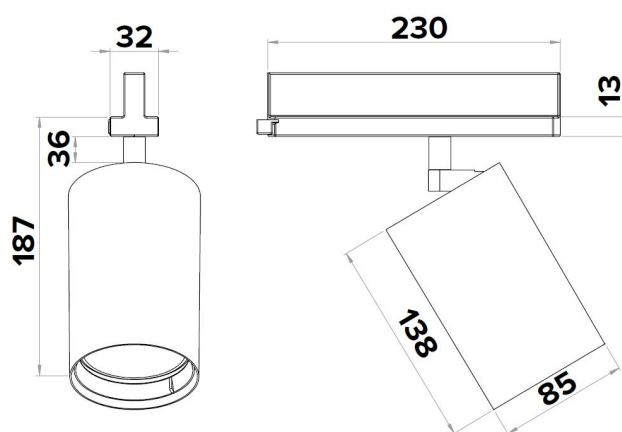
Ultraviolet rays, especially UV-C rays (with a wavelength from 200nm to 280nm), those scientifically proven to be more effective against bacteria, due to their germicidal action, have been chosen by Arkesys to introduce and propose a new product line to sterilize the air present in the rooms thanks to the use of UV-C LEDs.

The new Arkesys AIRPURE line, thanks to the light emitted by UV-C LEDs and an innovative air intake system, directly inserted in the spot body, sanitizes and disinfects the air, thus making the rooms free from any type of bacteria, viruses, molds and fungi, without any health risk.

The AIRPURE Track model is a track projector with 18W UV-C LED and integrated Standard power supply, basic colors White and Black, on request, other RAL finishes, galvanic treatments.



DATA SHEET



LED UV-C (200nm-280nm)

W	mA
18	250

NOTES AND ACCESSORIES

Driver standard included.

Last update: 4 June 2020