

QUASAR 85 -en- WALL & SURFACE LAMPS Ø 072

Wall mounted spotlight designed to furnish locations where adjustable light is required.

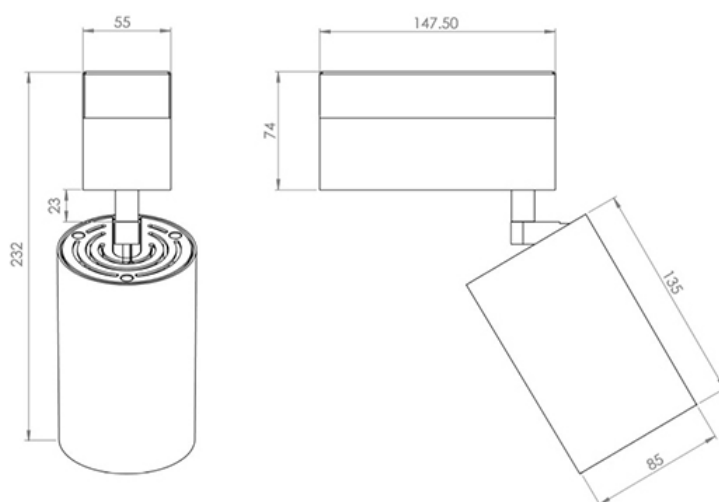
Die-cast extruded aluminum body, box aluminum body. Diffuser with 12/24/38 ° polycarbonate lens or 60 ° aluminum reflector.

Cob leds with cri > 90 designed for the fashion market and for art exhibitions are available too. Led from 17w up to 29w.



IP20 RG1 CE

DATA SHEET



CHARACTERISTICS

LED modules: Latest generation COB Led. Other configurations available on request.

CRI >90 A+ ART

W	K	lm	mA	CRI
17	3000	1820	500	98
25	3000	2480	700	98
29	3000	2790	800	98

QUASAR 85 -en- WALL & SURFACE LAMPS o o72

CRI >90 A+ FASHION

W	K	lm	mA	CRI
17	3250	1930	500	>90
25	3250	2625	700	>90
29	3250	2960	800	>90

CRI >90 A+

W	K	lm	mA	CRI
17	2700	2050	500	>90
17	3000	2100	500	>90
17	4000	2240	500	>90
25	2700	2780	700	>90
25	3000	2850	700	>90
25	4000	3050	700	>90
29	2700	3135	800	>90
29	3000	3210	800	>90
29	4000	3440	800	>90

CRI >80 A++

W	K	lm	mA	CRI
17	2700	2410	500	>80
17	3000	2470	500	>80
17	4000	2575	500	>80
25	2700	3275	700	>80
25	3000	3360	700	>80
25	4000	3500	700	>80
29	2700	3690	800	>80
29	3000	3790	800	>80
29	4000	3955	800	>80

QUASAR 85 -en- WALL & SURFACE LAMPS o o72

NOTES AND ACCESSORIES

Opal diffuser.
Honeycomb grid.
Emergency kit SA: 1 hour @350mA with remote application.
Beam with 12°, 24° or 38° lens or with 60° reflector.
Standard driver included, dimmable and Dali dimmable driver on request.

Last update: 8 November 2018