

## ARDRA ALU 45 -en- LED PROFILE Ø 015

### INDOOR LED PROFILE

#### APPLICATIONS:

- Lighting above and below cabinets
- Complementary furnishing items (kitchen / office / home)
- Interior design projects (stairs / storage)
- Exhibition shelves LED lighting (retail / stores)

#### DESCRIPTION:

Material: Natural anodised aluminum with transparent, opaline or frosted diffuser. Resistant to UV rays and shocks.

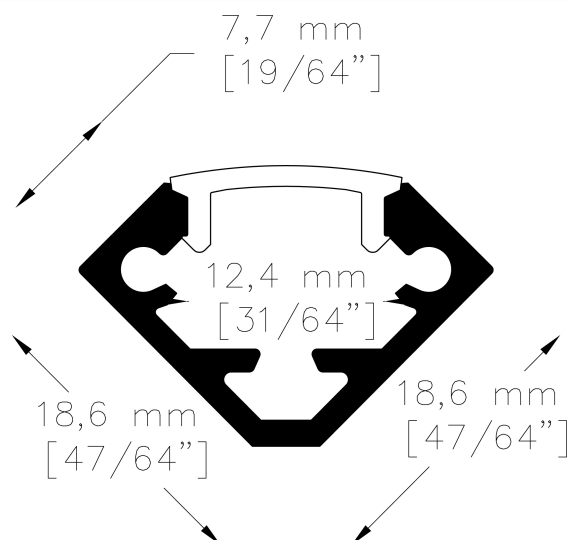
Dimensions: 18,6mm in height and 18,6mm in width. Minimum length 30cm, maximum 300cm (other sizes on request)



IP40



### DATA SHEET



### CHARACTERISTICS

LED module: mid-power LEDs on metal core PCB

#### PCB LED 11W

W/mt	K	lm/mt	LED/mt - Type - V	CRI
11	2700	1440	168 - SMD 2835 - 24V	>85
11	3000	1520	168 - SMD 2835 - 24V	>85
11	4000	1600	168 - SMD 2835 - 24V	>85

## ARDRA ALU 45 -en- LED PROFILE Ø 15

### PCB LED 22W

W/mt	K	lm/mt	LED/mt - Type - V	CRI
22	2700	2970	168 - SMD 2835 - 24V	>85
22	3000	3124	168 - SMD 2835 - 24V	>85
22	4000	3300	168 - SMD 2835 - 24V	>85

### STRIP LED 19W DYNAMIC WHITE

W/mt	K	lm/mt	LED/mt - Type - V	CRI
19	2700-3200+6000-6500	1120+1232	56+56 - SMD 2835 - 24V	>80

### STRIP LED RGB+W

W/mt	K (White)	lm/mt (White)	LED/mt - Type - V	CRI (White)
20	RGB+WW 2800-3000	504	84 - SMD 5050 - 24V	WW>80
20	RGB+NW 3800-4000	588	84 - SMD 5050 - 24V	NW>80
20	RGB+CW 6000-6500	672	84 - SMD 5050 - 24V	CW>80

### NOTES AND ACCESSORIES

- Touch switch or sensor pir.
- Controller for RGB management and light dimmer dimming.
- Standard cable length 1500mm, other sizes on request.
- Power supplies not included, to be ordered separately.

Last update: 11 October 2018