

## ORION 85-296 -en- LIGHTING SYSTEMS O O31

### INDEPENDENT FLOOD LIGHT FOR TRACK SYSTEMS

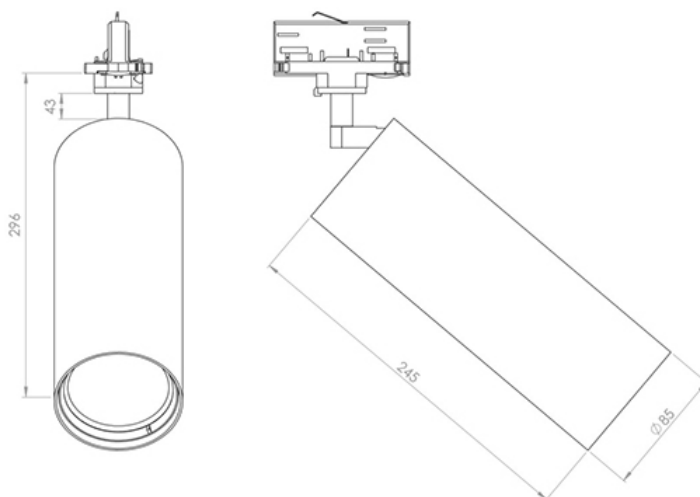
Innovative product that combines design aspects and high-level performances. The innovation of this product consists of the driver concealed in the track, making the classic driver box superfluous. Cob led with cri > 80 from 17w up to 25w, fluxes from 2675lm 2700k up to 3890lm 4000k. Cob leds with cri > 90, designed for the fashion market or for art exhibitions, are available too.

Orion has a die-cast aluminium body, polycarbonate lens or aluminium reflector 60 ° diffuser, 3 circuits universal adapter. As for the accessories there are: opal diffuser, honeycomb grid and a plastic base for wall or ceiling mounting, available also in the recessed version.

Device size: d.85x245mm, maximum encumbrance 296mm



### DATA SHEET



### CHARACTERISTICS

LED modules: Latest generation COB Led. Other configurations available on request.

CRI >90 A+ ART

W	K	lm	mA	CRI
17	3000	1820	500	98
25	3000	2480	700	98

## ORION 85-296 -en- LIGHTING SYSTEMS O O31

### CRI >90 A+ FASHION

W	K	lm	mA	CRI
17	3250	1930	500	>90
25	3250	2620	700	>90

### CRI >90 A+

W	K	lm	mA	CRI
17	2700	2050	500	>90
17	3000	2100	500	>90
17	4000	2240	500	>90
25	2700	2780	700	>90
25	3000	2850	700	>90
25	4000	3050	700	>90

### CRI >80 A++

W	K	lm	mA	CRI
17	2700	2410	500	>80
17	3000	2470	500	>80
17	4000	2575	500	>80
25	2700	3275	700	>80
25	3000	3360	700	>80
25	4000	3500	700	>80

### NOTES AND ACCESSORIES

Opal diffuser.  
 Honeycomb grid.  
 Plastic base for wall or ceiling mounting, also in the recessed version.  
 Beam: 60° reflector or 12°, 24°, 38° lens.  
 Standard driver included.

Last update: 16 October 2018