

MARTE 116x65 -en- RECESSED LUMINAIRES Ø Ø40

LINEAR DOWNLIGHT

Marte 116x65 represents a new line of innovative and performing products.

Aluminum die-cast housing and white front ring, with the possibility of choosing other finishes.

Generous heat sink with a black finish.

Led 10w, beam angle 20/25/40 °.

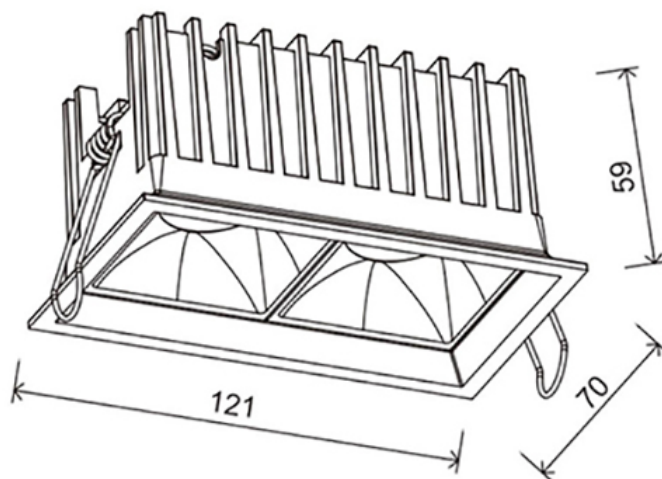
Polycarbonate reflector.

Driver included.

It is possible to customize the product as necessary.



DATA SHEET



CHARACTERISTICS

LED modules: Latest generation COB Led. Other configurations available on request.

CRI >80

W	K	lm	CRI
10	3000	700	>80
10	4000	720	>80
10	3000	730	>80
10	4000	750	>80

NOTES AND ACCESSORIES

- Beam angle: 20°, 25° or 40°
- Driver included

Last update: 16 October 2018